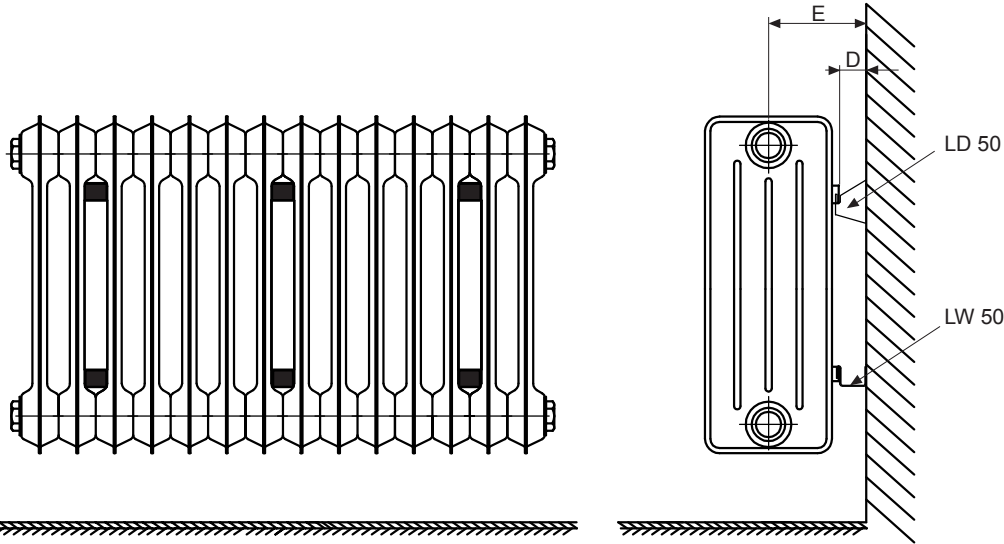


## WALL MONTAGE

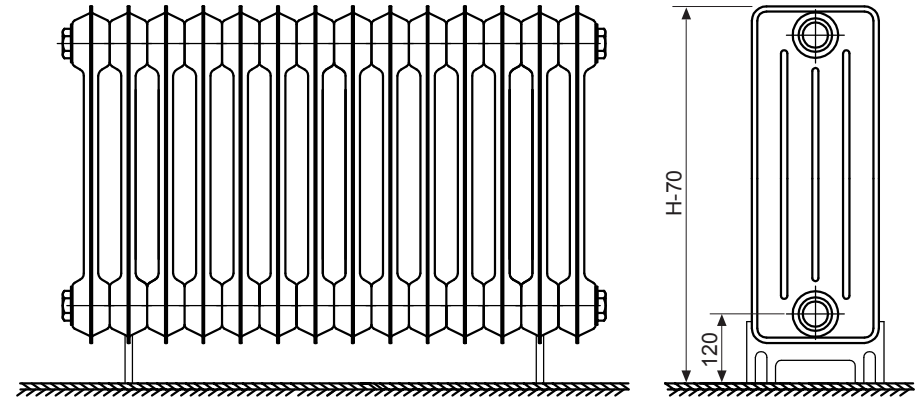


VINTAGE 50	Number of columns	Number of wall brackets Set: LD50 + LW50
	3 - 5	1
	6 - 25	2
	26 - 50	3
	51 - 60	4

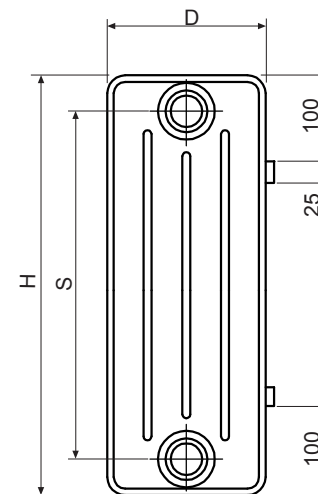
	B(mm)	D(mm)	E(mm)
LD 50 + LW50	110	50	105
	160		130
	220		160
	250		175

Werkdruk : Max.5 bar  
 Betriebsdruck : Max.5 bar  
 Pression de service : Max.5 bar  
 Operating pressure : Max.5 bar  
 Presión : Max.5 bar  
 Ciśnienie Robocze : Max.5 bar

## FLOOR MONTAGE (ON FOOT)



VINTAGE 50	Number of columns	Number of feet
	2 - 25	2
	26 - 50	3
	51 - 60	4

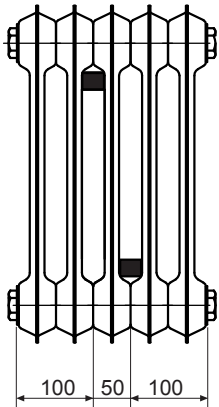


### VINTAGE 50

H(mm)	D(mm)	S(mm)
300	250	200
450	160	350
450	220	350
600	110	500
600	160	500
600	220	500
1000	110	900
1000	160	900
1000	220	900

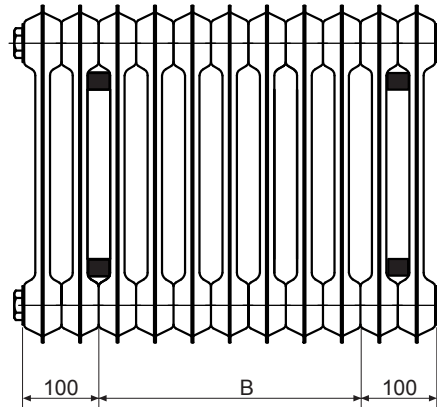
Positioning fixing brackets 2

Number of columns 3 - 5



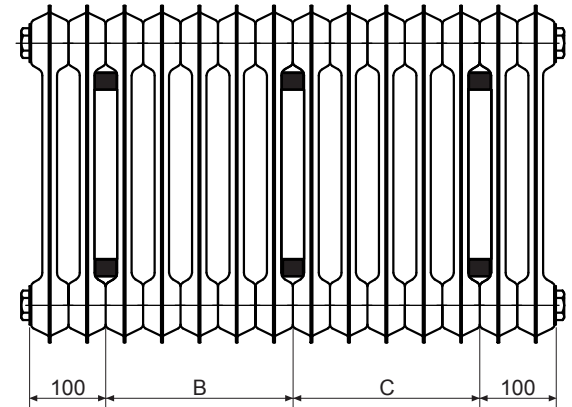
Positioning fixing brackets 4

Number of columns 6 - 25



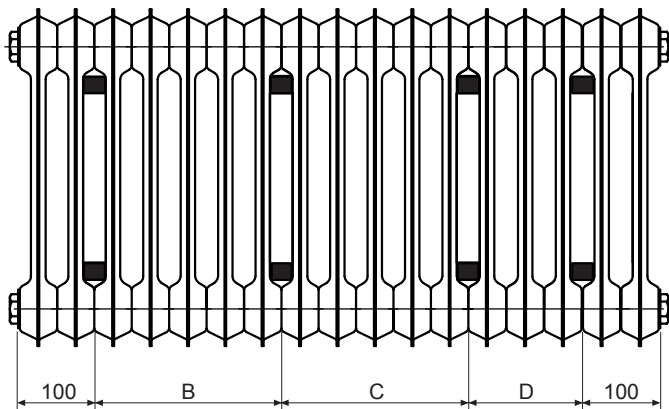
Positioning fixing brackets 6

Number of columns 26 - 50



Positioning fixing brackets 8

Number of columns 51 - 60



Number of columns	B
6	100
7	150
8	200
9	250
10	300
11	350
12	400
13	450
14	500
15	550
16	600
17	650
18	700
19	750
20	800
21	850
22	900
23	950
24	1000
25	1050

Number of columns	B	C
26	550	550
27	550	600
28	600	600
29	600	650
30	650	650
31	650	700
32	700	700
33	700	750
34	750	750
35	750	800
36	800	800
37	800	850
38	850	850
39	850	900
40	900	900
41	900	950
42	950	950
43	950	1000
44	1000	1000
45	1000	1050

Number of columns	B	C	D
46	1050	1050	****
47	1050	1100	****
48	1100	1100	****
49	1100	1150	****
50	1150	1150	****
51	750	800	800
52	800	800	800
53	800	800	850
54	800	850	850
55	850	850	850
56	850	850	900
57	850	900	900
58	900	900	900
59	900	900	950
60	900	950	950