

Adjustable roof tile Ø150

Description

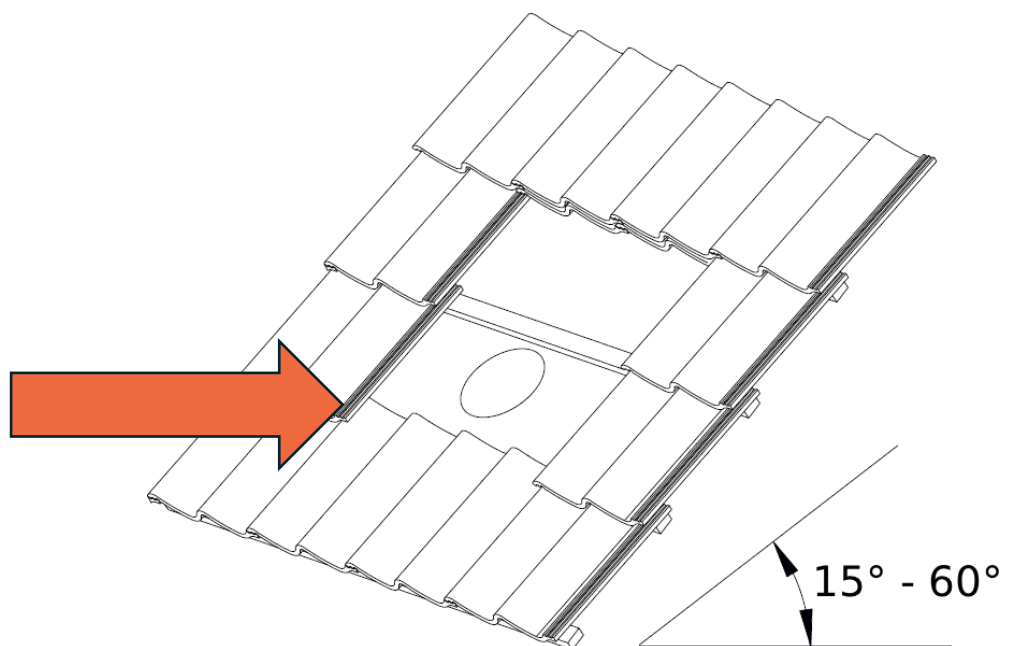
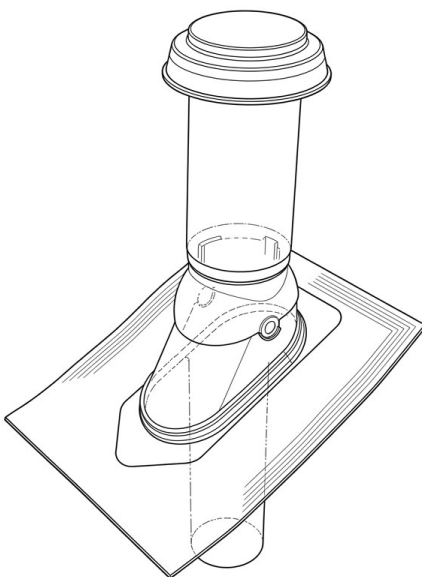
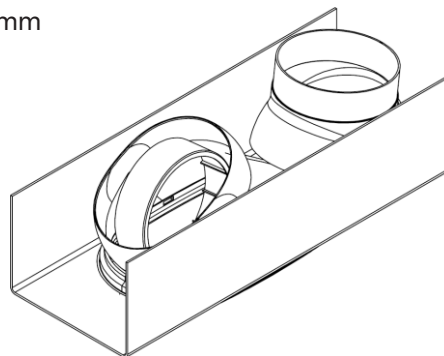
Vasco non-insulated air ducts and accessories, in combination with the Vasco C400RF (LE) ventilation unit and the Vasco EasyFlow® duct system, form a single integrated and efficient ventilation system for residential buildings.

The adjustable roof tile (Ø150) is designed for installing a roof outlet on a pitched roof and serves as an external drain outlet for the Vasco C400RF (LE). The roof tile is suitable for outdoor use, is weather-resistant and comes with a hinged cover.



Technical data

- **Colour:** Black
- **Net weight:** 1.49 kg
- **Adjustable angle:** 15° to 60°
- **Suitable for aluminium roof hood:** Ø 150 mm

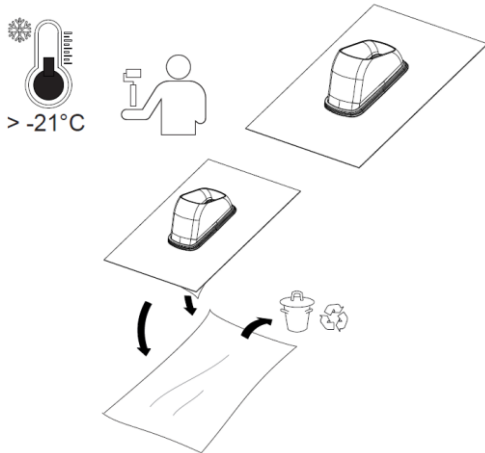


Adjustable roof tile Ø150

Installation

Preparation

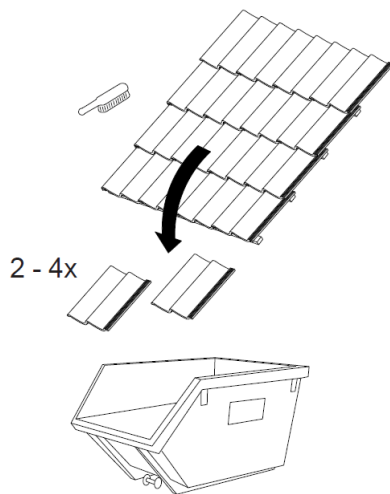
Step 1:




Install the adjustable roof tile only when the ambient temperature is above $-21\text{ }^{\circ}\text{C}$. Installation must be carried out manually, without the use of heat sources. Remove the protective film from the roof tile completely before installation. Dispose of the film in accordance with the applicable recycling guidelines.

Remove roof tiles and prepare the work opening

Step 2:

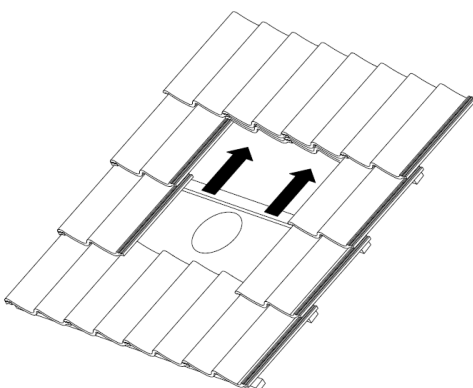


Verwijder de nodige dakpannen op de plaats waar de verstelbare dakpan zal worden geïnstalleerd. Maak de vrijgekomen zone schoon en stofvrij met een borstel. Controleer of de onderconstructie en panlatten onbeschadigd zijn. Voer verwijderde of beschadigde materialen af volgens de geldende afvalvoorschriften.


 The roof opening must be clear and clean before installing the adjustable roof tile.

Positioning the opening and adjusting the roof tiles

Step 3:



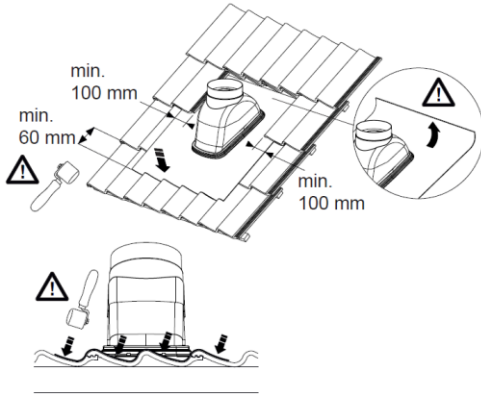
Position the opening for the adjustable roof tile correctly on the roof surface. Slide the roof tiles above it slightly upwards to create sufficient space for the roof penetration. Ensure that the opening is centred and that the surrounding roof tiles fit snugly without any tension.

 Correct positioning prevents tension on the roof tile and ensures a watertight joint.

Adjustable roof tile Ø150

Fitting and correctly aligning the adjustable roof tile

Step 4:



Place the adjustable roof tile in the opening and centre it correctly.

Ensure the minimum clearances from the surrounding roof tiles are maintained:

At least 100 mm on the left and right sides and at least 60 mm at the top and bottom.

Carefully press down the flexible underside so that it fits snugly against the roof profile.

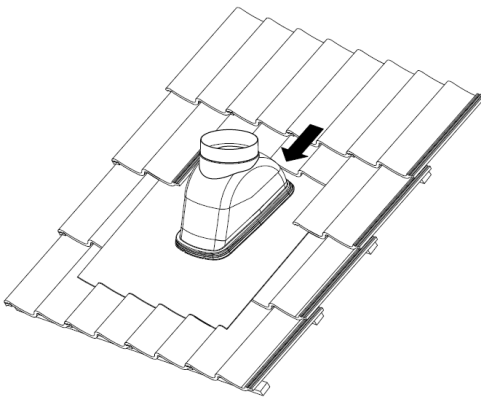
Do not use sharp or pointed tools to avoid damage. Check that the roof tile is flat, tension-free and watertight.

Adequate clearance and proper connections are

essential for a durable and watertight installation.

Finishing and testing

Step 5:



Slide the surrounding roof tiles back into their original position around the adjustable roof tile.

Ensure that all roof tiles are correctly interlocked and overlap, without any tension.

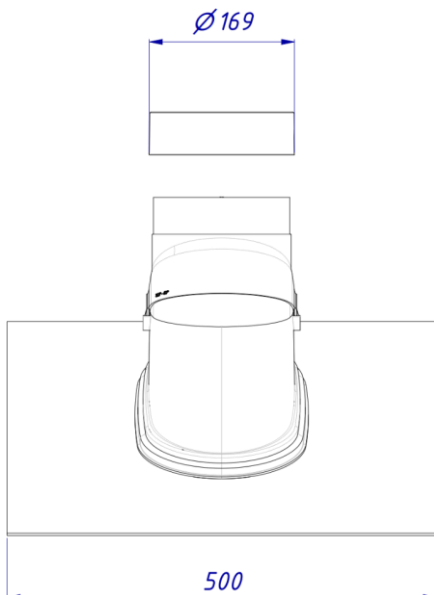
Check that the adjustable roof tile fits seamlessly with the surrounding tiles and does not shift.

Carry out a final visual check for stability and water drainage.

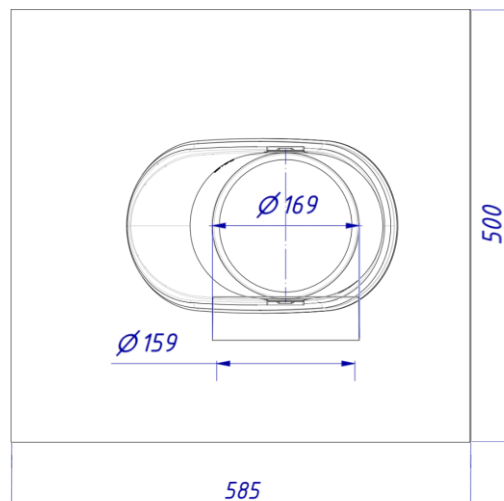
The installation of the adjustable roof tile is now complete.

Dimension drawing

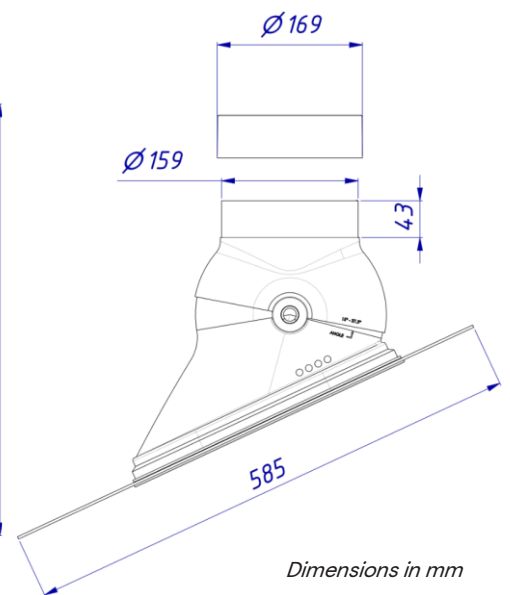
Front view



Top view



Side view (right)



Dimensions in mm