

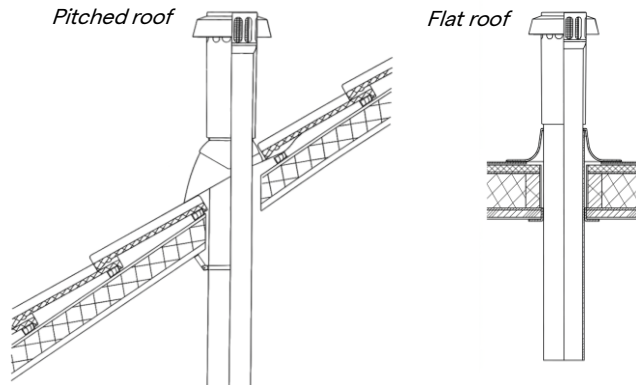
Aluminium roof hood

Description

This weather-resistant, durable aluminium roof hood is designed as an external connection for the Vasco C400RF (LE) ventilation unit. The system is suitable for flat roofs (in combination with a suitable mounting plate) and pitched roofs with a pitch of 15° to 60° (in combination with an adjustable roof tile). Specific mounting brackets are available to ensure a safe and stable installation.

Technical specification

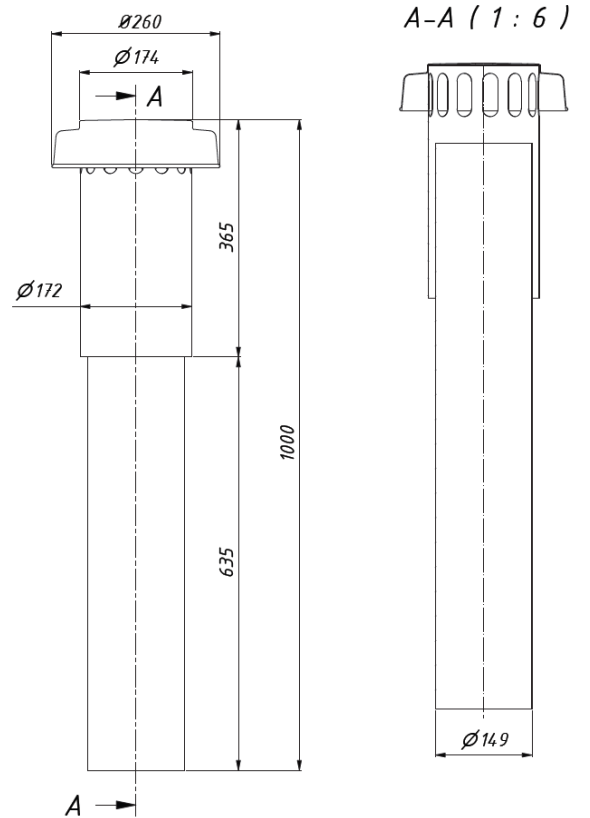
- **Material:** Aluminium
- **Colour:** Zwart
- **Net weight:** 1.62 kg
- **Internal diameter:** 149 mm
- **Dimensions (L x W):** 1000 x 260 mm
- **Temperature range:** - 25°C / +80°C



Installation

- Determine the correct position for the aluminium roof hood. Take the roof build-up into account and, in the case of a **pitched roof**, the type of roof tile.
- From the outside, make an opening in the roof that is slightly larger than the pipe of the roof penetration.
- When sawing, prevent sawdust or dust from entering the ventilation unit.
- Install the corresponding flashing element:
 - for a **pitched roof**: the adjustable roof tile DN150;
 - for a **flat roof**: the bonding plate DN150, in accordance with the separate installation instructions.
- Then install the aluminium roof hood through the flashing element / bonding plate and through the roof structure.
- If applicable, install the fixing bracket underneath the roof around the pipe of the aluminium roof hood.
- Set the aluminium roof hood vertically (level) and secure the fixing bracket with four screws.

Dimension drawing



Pressure loss

