

FILTER SETS DX4/5/6 (E)

DESCRIPTION

Vasco recommends cleaning the filters in your ventilation unit 3-monthly and 6-monthly replacement. Cleaning can be done with a vacuum cleaner. Replacement is easily indicated by the dirt filter indicator on the supplied control element: after operation, the LED lights up orange 2x:



Replace the filters (supply and return air) with official filter sets for Vasco ventilation units type D. Available from wholesalers or the Vasco "Accessory Shop". Then reset the dirt filter message by pressing for at least 4 seconds simultaneously the "position 1" and "timer" buttons until the LED lights up green.

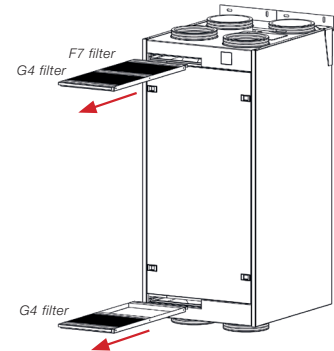


TECHNICAL FEATURES

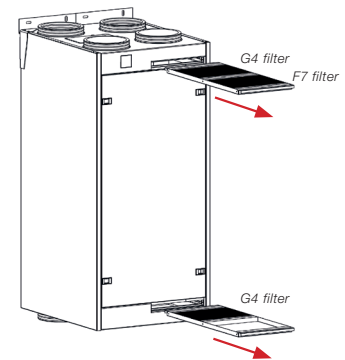
On ventilation units of type DX4/5/6 (E), the filters are accessible from the front of the unit. 2 separate filter trays must be opened to gain access to the supply and return filters respectively.

- * The F7/G4/G4 filter set is applicable only when, in addition to the top connection, the bottom connection is also connected as shown in the picture:
- ** Depending on the quality of the outside air, there is sometimes a need to replace the F7 filter more often, hence a filter replacement set with 2x F7 filters.

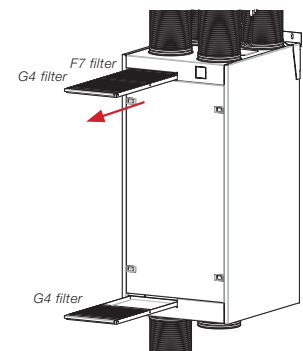
STANDARD CONFIGURATION LEFT



MIRRORED CONFIGURATION RIGHT



* TOP AND BOTTOM CONNECTION



Type ventilation unit	Dimensions [lxwxh mm]	Filter classification EN779 - ISO16890	Material	Image filter set
DX4/5/6 (E)	275x275x20	F7 - ISO ePM1 55% G4 - ISO Coarse 65%	Fibreglass paper Filter frame made of cardboard	
DX4/5/6 (E)	275x275x20	F7 - ISO ePM1 55% G4 - ISO Coarse 65% G4 - ISO Coarse 65%	Fibreglass paper Filter frame made of cardboard	*
DX4/5/6 (E)	275x275x20	F7 - ISO ePM1 55% F7 - ISO ePM1 55%	Fibreglass paper Filter frame made of cardboard	**