



ELECTRIC PREHEATING ELEMENT: D150 Compact

DESCRIPTION

In addition to the defrost cycle that every Vasco ventilation unit with heat exchange is equipped with as standard, the optional electric preheating element serves as the antifreeze strategy of the ventilation unit. It thus prevents freezing of the heat exchanger which can occur when humid hot exhausted indoor air comes into indirect contact with cold supplied outdoor air in the heat exchanger. In this way, the efficiency of the ventilation system and the comfort of the occupants is maintained at all times.



OPERATION

The electric preheating element is switched on when the following conditions are met:

- Supply fan is operating.
- Outdoor temperature measured by the temperature sensor of the incoming outside air must be lower than the set switch-on temperature.
- Outlet temperature measured by the temperature sensor of the air discharged to the outside must be lower than the set switch-on temperature.

The above temperatures are indicative of freezing of the heat exchanger.

The electric preheating element is switched off when one of the above conditions are not met.

TECHNICAL FEATURES

- External mounting, on the connection of the ventilation unit, air flow "from outside"
- Resistance element with minimum air resistance
- External supply voltage 230V AC
- Control signal coming from the circuit board of the ventilation unit
- High-quality galvanised metal housing
- Equipped with safety thermostat
- Electrical control in housing
- Modulating control
- Safety class IP43

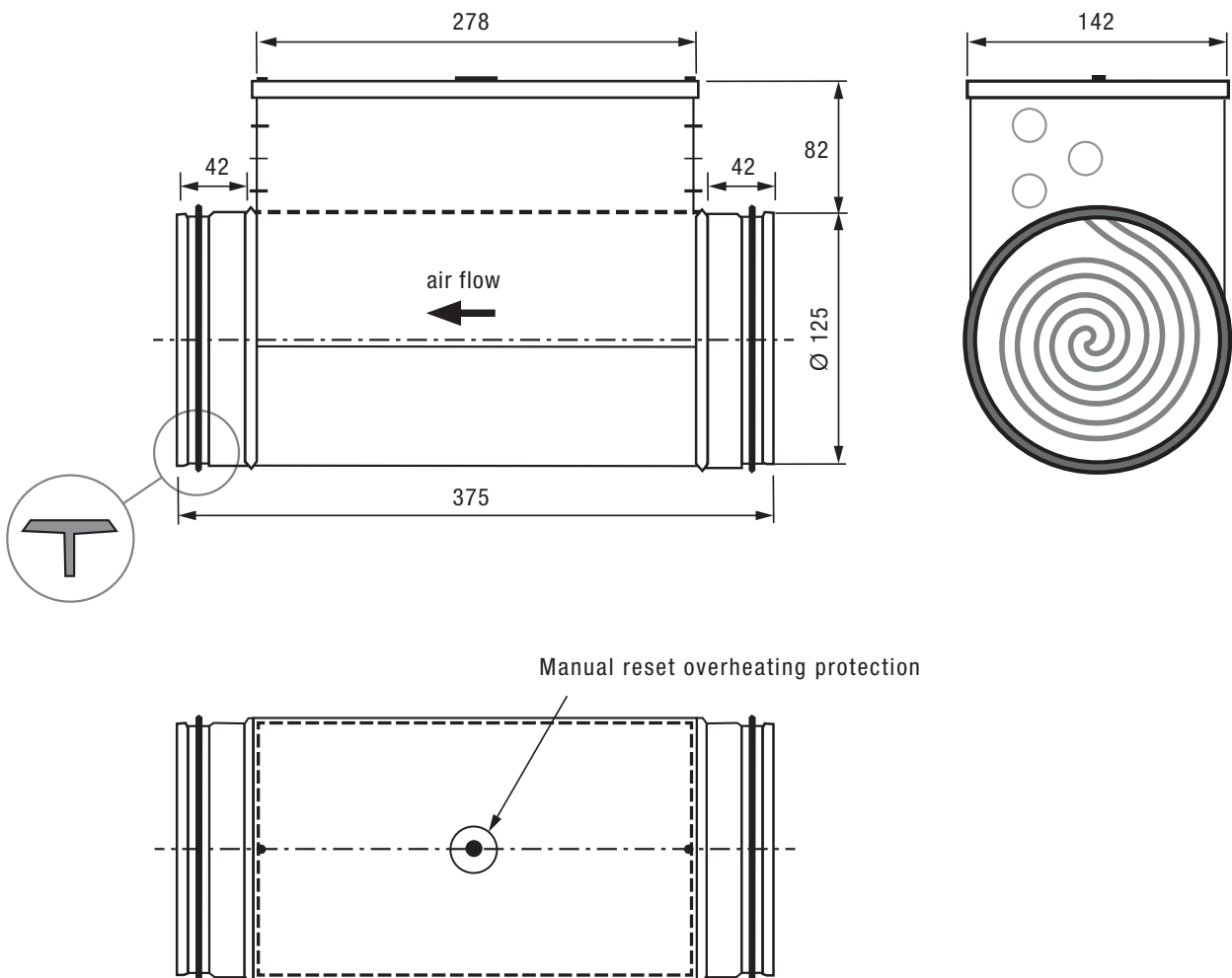
| | | Type Ø125 - 600W |
|------------------------|----|----------------------------|
| Dimensions (l x w x h) | mm | 375 x 207 x 125 |
| Connection diameter | mm | 125 |
| Maximum power | W | 600 |
| Pressure loss | Pa | 5 at 125m ³ /h* |

* at 21 °C



ELECTRIC PREHEATING ELEMENT: D150 Compact

DIMENSIONAL DRAWINGS AND CONNECTIONS



Dimensions in mm