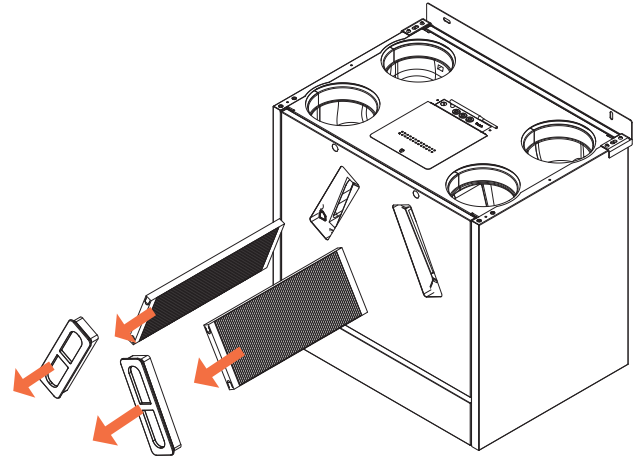


# Filter sets 275/350/425/500 Boost (H)

## Description

The Boost 275/350/425/500 (H) is fitted with 2x ISO Coarse 65% (=G4) filters as standard. We recommend replacing both filters with an ISO ePM1 55% (=F7) and ISO Coarse 65% (=G4) filter set, from the moment the house is permanently occupied by the occupants. Furthermore, Vasco recommends cleaning the filters in your ventilation unit 3-monthly and replacing them 6-monthly. Cleaning can be done with a Hoover. Replacement is easily indicated by the dirt filter indicator on the control element provided.



### Dirt filter indication + reset

After operation, the LED lights up orange 2x:



Replace the filters (supply and return air) with official filter sets for Vasco ventilation units type D. Available from wholesalers or the Vasco 'Accessory Shop'. Then reset the dirt filter message by pressing the 'position 1' and 'timer' buttons simultaneously for at least 4 seconds, until the LED lights up green.



## Technical specifications

In ventilation units of type Boost 275/350/425/500 (H), the filters are accessible at the front of the unit, behind the filter caps. To access the supply and return filters, the filter caps must be removed.

Depending on the quality of the outdoor air, it may be necessary to change the F7 filter more frequently. Therefore, we also offer a filter replacement set with 2x F7 filters.

Type ventilation unit	Boost 275 (H) Boost 350 (H) Boost 425 (H) Boost 500 (H)	Boost 275 (H) Boost 350 (H) Boost 425 (H) Boost 500 (H)
Dimensions filters (l x w x h mm)	495 x 186 x 20	495 x 186 x 20
Filter ratings EN779 - ISO 16890	F7 – ISO ePM1 55% G4 – ISO Coarse 65%	F7 – ISO ePM1 55% F7 – ISO ePM1 55%
Material	· Fibreglass paper · Filter border made of cardboard	· Fibreglass paper · Filter border made of cardboard
Filter sets		