

Flat roof pipe flashing Ø150

Description

The Vasco flat roof pipe flashing provides a reliable and durable base for connecting the exhaust air duct and ensures proper integration with the aluminium roof hood on a flat roof.



Technical data

- **Material:** Aluminium
- **Weight:** 0.4 kg
- **Suitable for aluminium roof hood:** Ø 150 mm

Installation

Preparation

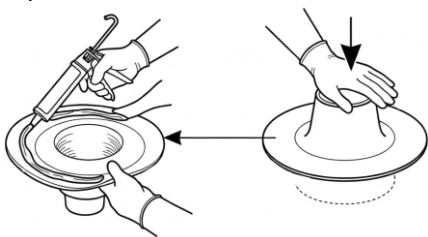
Step 1:



Mark the desired position on the roof. Thoroughly clean the surface around the mark. Lightly roughen the existing bituminous roofing (e.g. bitumen roofing sheets) with a wire brush to ensure optimum adhesion. Then cut an opening with a diameter of Ø 150 mm in the roof structure.

Roof installation

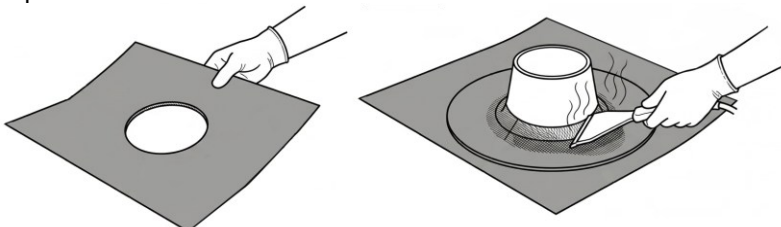
Step 2:



Apply a suitable mounting adhesive (e.g. bituminous adhesive) to the underside of the mounting plate and position it over the opening. Press the base, which has a diameter of Ø 420 mm, firmly onto the roof covering to ensure a solid and durable anchorage..

Additional seal

Step 3:

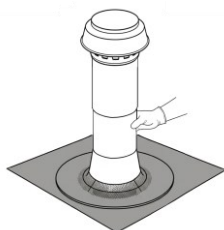


Cut an extra strip of bituminous roofing membrane with an opening of approximately Ø 170 mm. Weld or glue this strip securely over the base of the mounting plate to ensure a seamless and extra watertight connection.

Flat roof pipe flashing Ø150

Fitting the roof hood

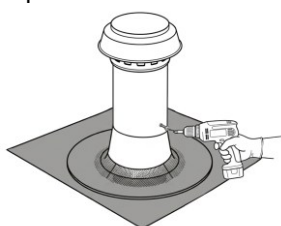
Step 4:



Slide the straight aluminium pipe section (diameter Ø 149 mm) through the opening in the roof pipe flashing and then down through the roof structure to the desired position.

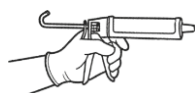
Finishing and final inspection

Step 5:

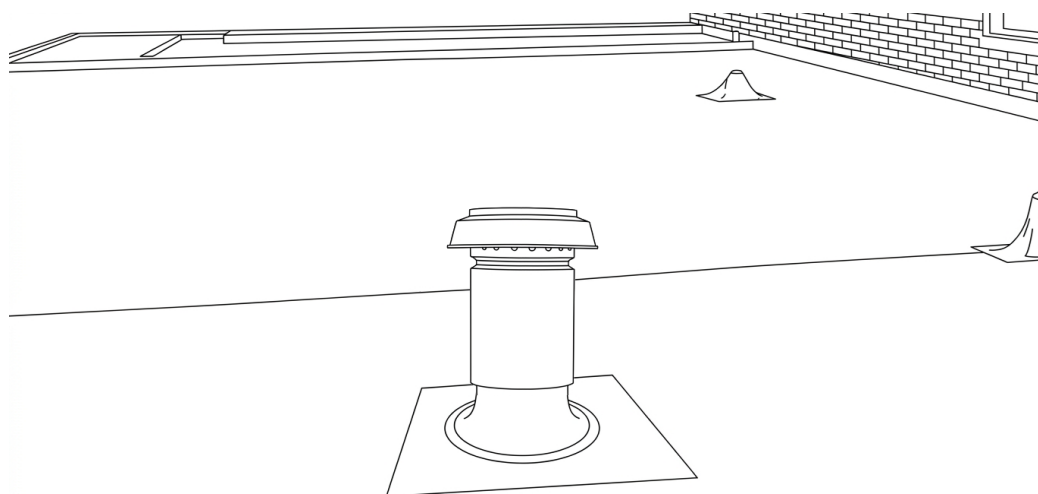


Slide the collar with the roof hood cover over the collar of the roof pipe flashing. Then screw the roof hood collar to the flat roof pipe flashing collar to secure the assembly mechanically.

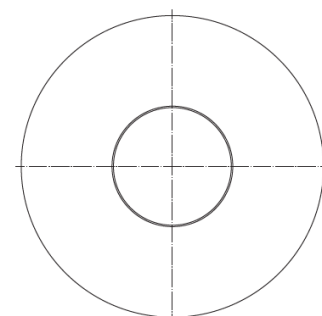
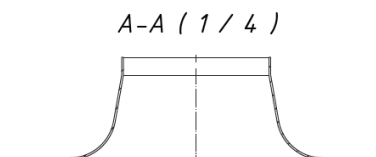
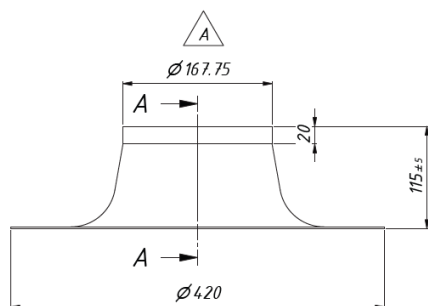
Next, check that the joint (between the collar of the roof hood and the flat roof pipe flashing) fits completely and correctly.



If necessary, apply a weather-resistant sealant to provide extra security.



Dimension drawing



Dimensions in mm