

Mounting frame

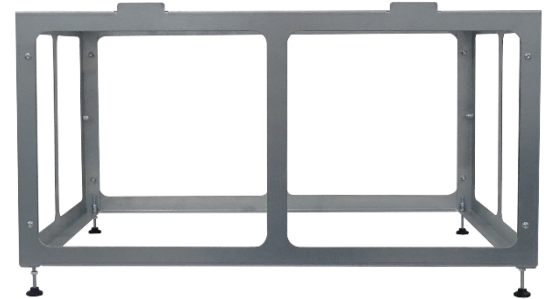
275/350/425/500 Boost (H)

Description

This mounting frame is designed for freestanding installation of Vasco ventilation units.

The mounting frame provides a stable, low-vibration and secure installation base, allowing the Boost units to be positioned easily, ergonomically and flexibly in a variety of indoor spaces.

Thanks to its robust design, the frame guarantees optimum support, both during installation and during long-term use.



Technical features

- **Stability:** ensures sturdy and secure placement with 1.25 mm galvanised steel.
- **Easy maintenance:** easy to access for maintenance and repairs.
- **Noise reduction:** reduces vibrations and noise pollution thanks to the rubber feet.
- **Adjustable height:** Ideal height adjustment between 396 mm and 426 mm, also suitable for uneven floors.

Safety and user instruction

Follow the guidelines below to ensure safe installation and correct use of the mounting frame:

Compatibility

- Only use this mounting frame in combination with the Vasco 275/350/425/500 Boost (H) ventilation units. This mounting frame is also compatible with Vasco D-T350/425/500 ventilation units.

Placement

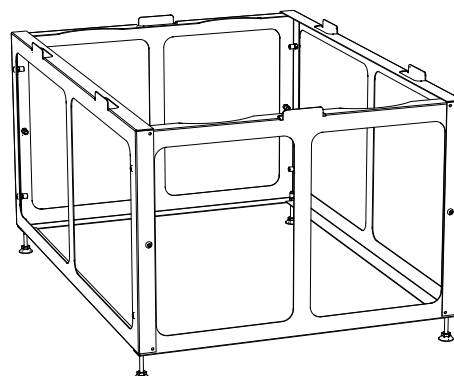
- Place the frame on a stable and level surface.
- Do not add any additional ballast or weight to the frame other than the ventilation unit for which it is designed.

Safety and supervision

- This appliance is not intended for use by persons (including children) with limited physical, sensory or mental capabilities, or with a lack of experience and knowledge, unless they are supervised or instructed by a person responsible for their safety.
- Supervise children to prevent them from playing with the appliance or the mounting bracket.

Fixings

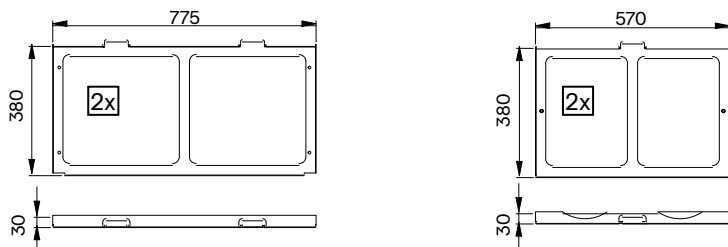
16x - M6x16	4x - M6	4x - M6



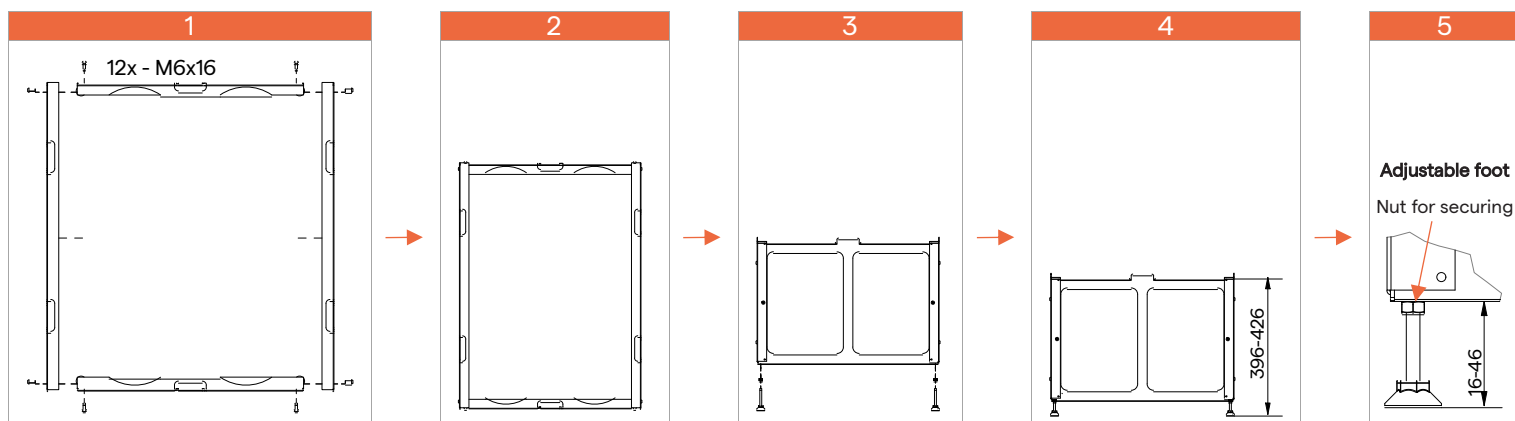
Mounting frame

275/350/425/500 Boost (H)

Dimensional drawings



Installation instructions



Dimensions in mm

