



WIRED WALL CONTROL UNIT









DESCRIPTION

The Vasco D150 Compact and Energy Plus ventilation units are expandable with a wired wall control unit. Only 1 wall control unit can be used per ventilation unit.

- changing ventilation setting
- setting a week programme
- setting the airflow/ventilator control voltage
- error message display
- status display bypass and electric pre-heating element
- display measured temperatures and humidity level
- display measured CO₂ value (if sensor is connected)
- resetting the dirty filter alert
- powered by external source (1x230V+N)
- wired connection (3x0.5mm²) with the ventilation unit (max. cable length 20m)
- backlit LCD display
- dimensions LxWxD: 79x88x15 mm
- housing: plastic (ABS)
- wall surface mounting (screw fastening)



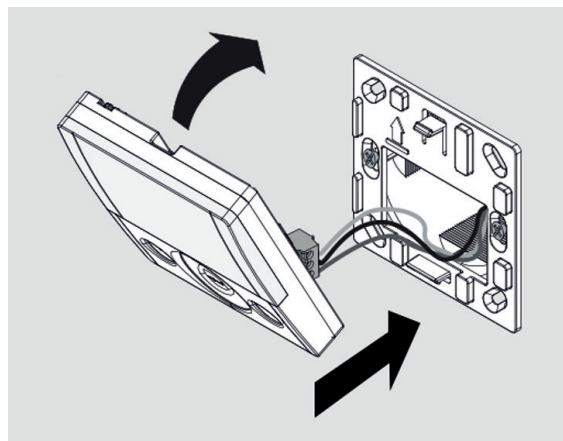
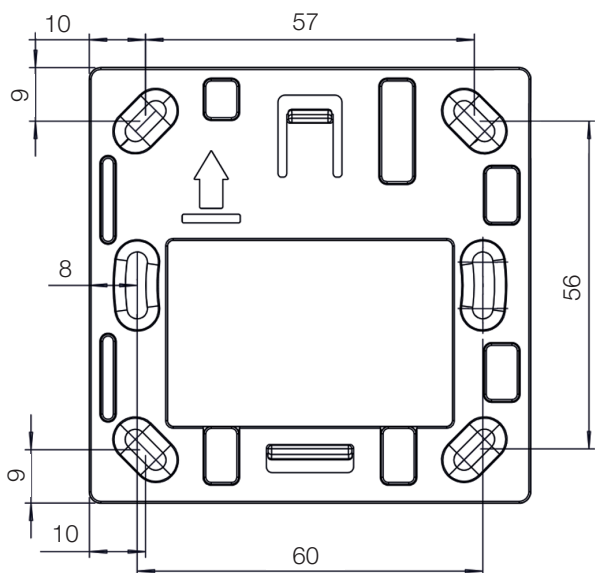
TECHNICAL DATA

Symbol	Function	Description
	Holiday position	Ventilate at minimum airflow
	Ventilation position 1	Ventilate at 25% of the maximum set airflow.
	Ventilation position 2	Ventilate at 45% of the maximum set airflow.
	Ventilation position 3	Ventilate at 70% of the maximum set airflow.
	Ventilation position 4	Ventilate at 100% of the maximum set airflow.
	Party position	Increase of fan speed vis-à-vis nominal speed (standard 130%), during 3 hours as standard.
	Auto position	In the auto position the ventilation unit operates on the basis of the internal humidity sensor, or a CO ₂ sensor if connected.
	Week programme	Indication if week programme is activated. In addition to this indication the display also shows which programme is activated (1 through 8)



WIRED WALL CONTROL UNIT

DIMENSIONAL DRAWING



Dimensions in mm