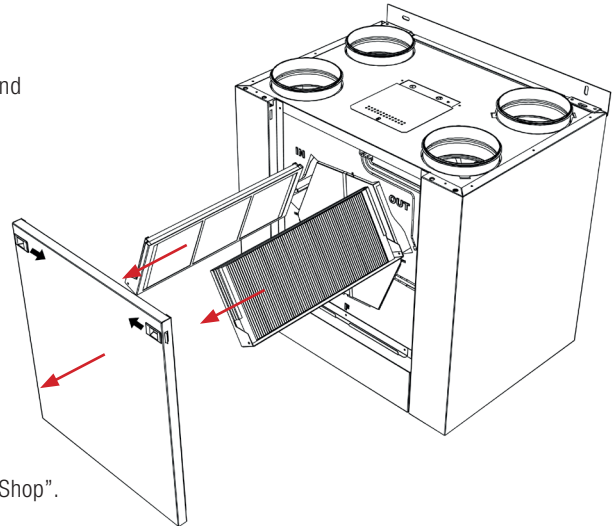




FILTER SETS D_T_X350/425/500 (E)

DESCRIPTION

Vasco recommends cleaning the filters in your ventilation unit 3-monthly and 6-monthly replacement. Cleaning can be done with a vacuum cleaner. Replacement is easily indicated by the dirt filter indicator on the supplied control element: after operation, the LED lights up orange 2x:



Replace the filters (supply and return air) with official filter sets for Vasco ventilation units type D. Available from wholesalers or the Vasco "Accessory Shop". Then reset the dirt filter message by pressing for at least 4 seconds simultaneously the "position 1" and "timer" buttons until the LED lights up green.



TECHNICAL FEATURES

On ventilation units of type D_T_X350/425/500 (E), the filters are accessible from the front of the unit. The front panel must be opened to gain access to the supply and return filters respectively. To do this, slide the 2 black door latches inwards to lift the front panel out of the ventilation unit.

* Depending on the quality of the outside air, there is sometimes a need to replace the F7 filter more often, hence a filter replacement set with 2x F7 filters.

Type ventilation unit	Dimensions [lxwxh mm]	Filter classification EN779 - ISO16890	Material	Image filter set
D350, D425, T350, T500, X350 (E), X425 (E), X500 (E)	481x186x20	F7 - ISO ePM1 55% G4 - ISO Coarse 65%	Fibreglass paper Filter frame made of cardboard	
D350, D425, T350, T500, X350 (E), X425 (E), X500 (E)	481x186x20	F7 - ISO ePM1 55% F7 - ISO ePM1 55%	Fibreglass paper Filter frame made of cardboard	*