



ELECTRIC PREHEATING ELEMENT: SELF-REGULATING

DESCRIPTION

In addition to the defrost cycle that every Vasco ventilation unit with heat exchange is equipped with as standard, the optional electric preheating element serves as the antifreeze strategy of the ventilation unit. It thus prevents freezing of the heat exchanger which can occur when humid hot exhausted indoor air comes into indirect contact with cold supplied outdoor air in the heat exchanger. In this way, the efficiency of the ventilation system and the comfort of the occupants is maintained at all times.



OPERATION

The electric preheating element is switched on when the following conditions are met:

- Supply fan is operating.
- Outdoor temperature measured by the temperature sensor of the incoming outside air must be lower than the set switch-on temperature.
- The average air temperature of the incoming outdoor air and the air discharged to the outside must be lower than the set switch-on temperature.

The above temperatures are indicative of freezing of the heat exchanger.

The electric preheating element is switched off when one of the following conditions are met:

- Supply fan is not operating.
- The average air temperature of the incoming outdoor air and the air discharged to the outside is higher than the set switch-on temperature.



TECHNICAL FEATURES

- External mounting, on the connection of the ventilation unit, air flow “from outside”
- Aluminium extruded PTC (positive temperature coefficient) resistance element with minimum air resistance
- Self-regulating capability
- External supply voltage 230V AC
- Control signal coming from the circuit board of the ventilation unit
- High-quality galvanised metal housing
- Insulation jacket to prevent condensation
- Electrical control in housing
- Modulating control
- Safety class IP43

		Type Ø150 - 700W	Type Ø180 - 700W	Type Ø180 - 1400W
Suitable for ventilation unit		D275EP, D275EP II, D275(EP) III (E)	D300E (II), D400EP (II), D_T_X350 (E), D_X425 (E), DX4 (E)	D500E (II), T_X500 (E), DX5 (E), DX6 (E)
Dimensions (l x w x h)	mm	167 x 214 x 166	168 x 240 x 196	168 x 240 x 196
Dimensions (l x w x h) incl. packaging	mm	310 x 230 x 190	310 x 230 x 190	310 x 230 x 190
Connection diameter	mm	150	180	180
Weight	kg	1,8	1,7	2,4
Weight incl. packaging	kg	1,9	1,8	2,5
Maximum power	W	700	700	1400
Pressure loss	Pa	17,5 at 275m ³ /h*	13,7 at 400m ³ /h*	48,3 at 600m ³ /h*

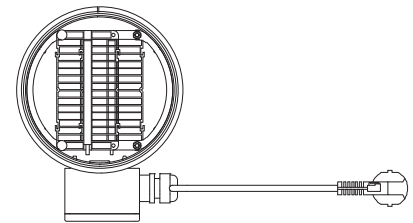
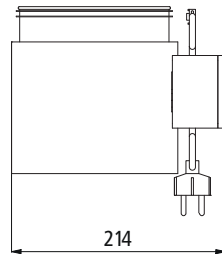
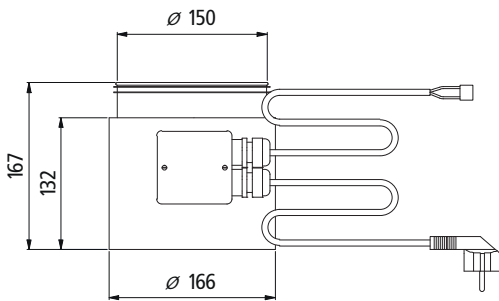
* at 21 °C



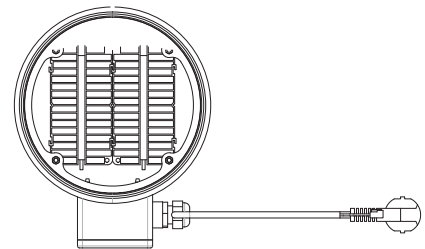
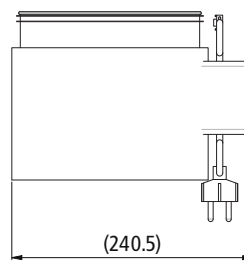
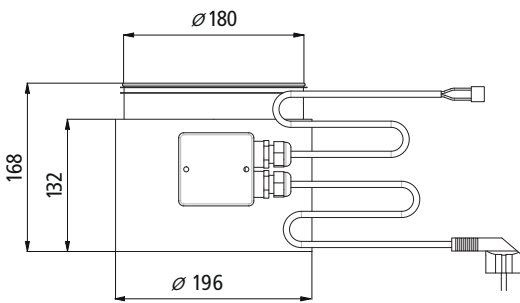
ELECTRIC PREHEATING ELEMENT: SELF-REGULATING

DIMENSIONAL DRAWINGS AND CONNECTIONS

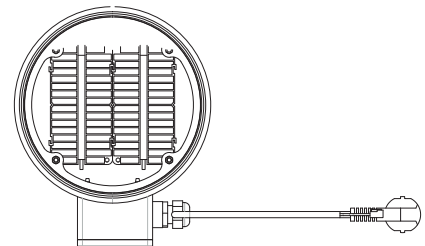
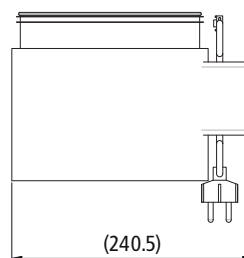
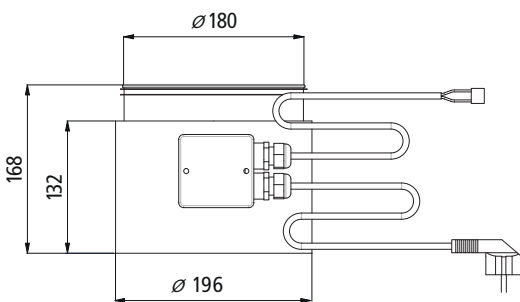
Type Ø150 - 700W



Type Ø180 - 700W



Type Ø180 - 1400W



Dimensions in mm