

BEAMS MONO-EL

ELECTRIC HEATING,
A SUSTAINABLE ALTERNATIVE



Electric heating is a hot topic. Year on year, the demand from installers and consumers for innovative electric heating solutions continues to rise. As insulating PV panels in our home continue to improve, electric heating provides an alternative cost-efficient and user-friendly solution. Electric heating works on the plug-and-play principle, i.e. without the invasive need for drilling, channeling or maintenance work. These solutions also respect Vasco's time-honoured tradition of paying the utmost attention to efficiency, design and ease of use.



PURITY OF DESIGN, NOW ALSO ELECTRIC

This new aluminium designer radiator combines all the benefits of electric heating with purity of design - a real must-have for those who love a minimalist look! During the development process of the Beams Mono-EL, the Vasco designers had to pull out all the stops to be able to integrate an electrical resistance in the sleek vertical profiles (width 150 mm). The profiles were fitted with additional fins to increase the heat output. There's also a cover panel at the back, in the same colour as the front, which houses the electrical resistance. As a result, the radiator can be maximum heated - obviously with the option of automatically regulating the surface temperature according to your needs.



HOW TO ORDER BEAMS MONO-EL

Delivery time 15 - 30 working days
 Stock radiator: Delivery time 5 working days
 (transport duration not included)

11349	0150	1800	0000	YYYY	-0000

ref. nr. (5 digits)
 width (4 digits)
 height (4 digits)
 connection (always 0000)
 colour (4 digits)
 finish (always -0000)

BEAMS MONO-EL



PRODUCT GROUP: ELECTRICAL

REFERENCE CODE CUSTOM MADE BEAMS MONO-EL	TECHNICAL DATA				STANDARD COLOUR		OTHER COLOURS
	width (L mm)	height (H mm)	weight (kg)	electr. resistance (Watt)	price S600	short ref.nr. S600 stock	price colour
REF. NR. BEAMS MONO-EL : 11349							
11349 0150 1800 0000 YYYY -0000	150	1800	9,7	950	880,00	11349-01	1.012,00

In conformity with EN442-1: 2014: radiators and convectors

UK. Prices 09/2019 (excl. VAT)

REGULATION (RF THERMOSTAT)

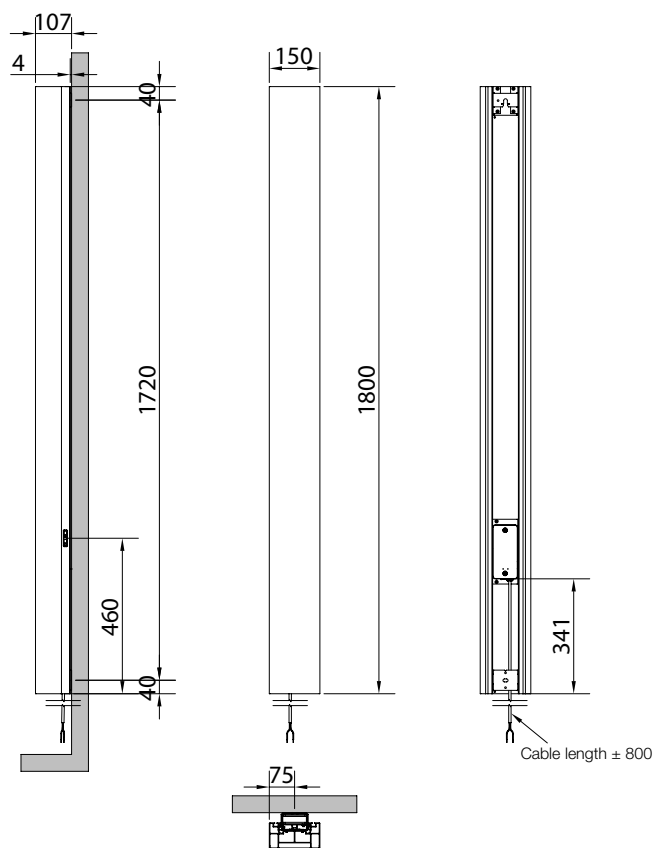
INCLUDED IN THE PRICE

- Operating voltage of the RF receiver: 230V AC, 50 Hz
- RF thermostat: 2x Alkaline 1.5V
- Weekly and daily programming



height: 95 mm, width: 120 mm, depth: 25 mm

- Control of room temperature from 7°C to 30°C
- Control of surface temperature from 20°C to 80°C
- Boost command: standard 60 minutes
- Auto, Comfort, Eco or frost protection mode
- Set programmes P1, P2 and P3 can be changed
- RF receiver: IPX4 Class II (invisible at the back of the radiator)
- Thermostat: IP30
- Cable length: 0.8 m (preferably use a direct fixed wall outlet)
- Energy-consumption indication
- Indicator of open window detection
- RF communication between the receiver and the thermostat (to be connected)



RF receiver at the back



BEAMS MONO-EL ACCESSORIES

IN OPTION (see technical price list)

- Short towel rail
- Rectangular towel rail
- Square towel rail



Consult the Vasco colour range in the technical price list or via: www.vasco.eu.