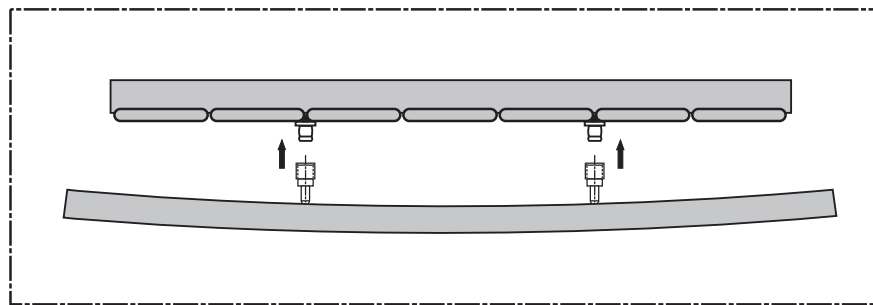
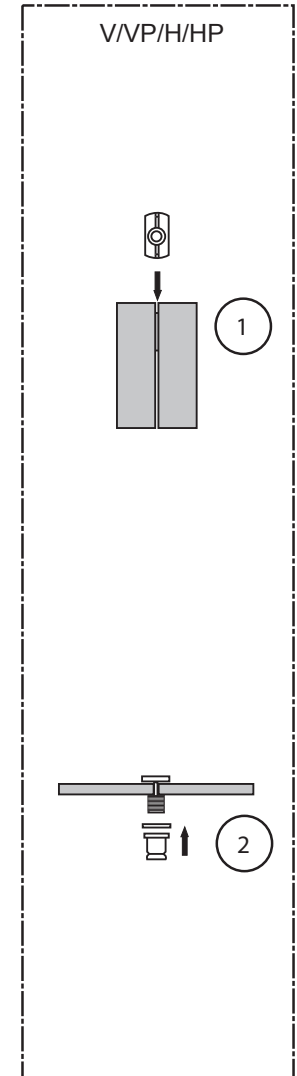
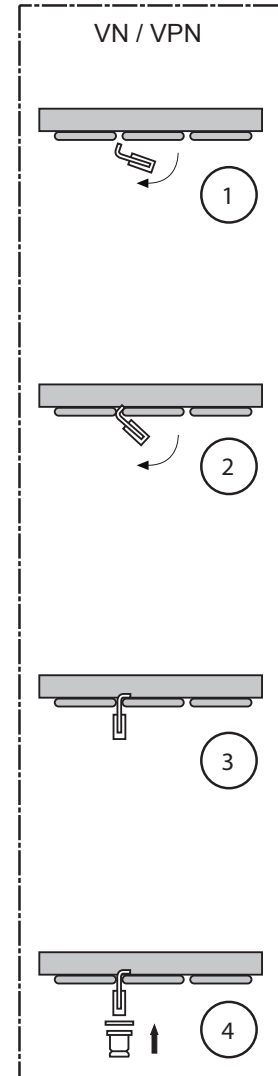
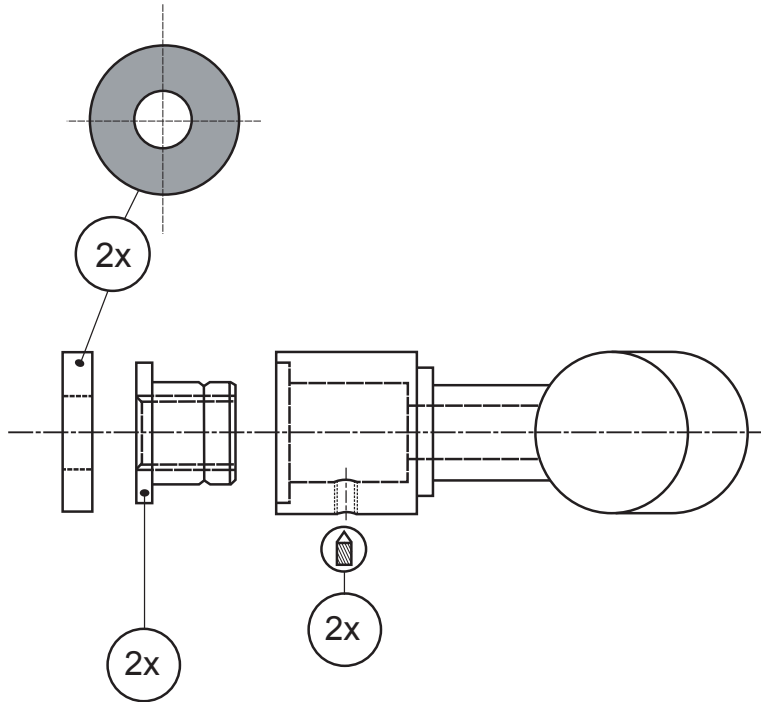
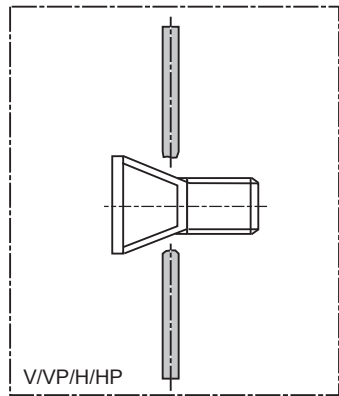
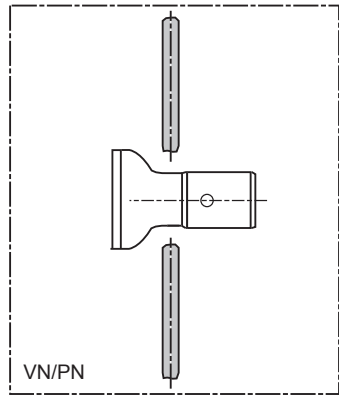


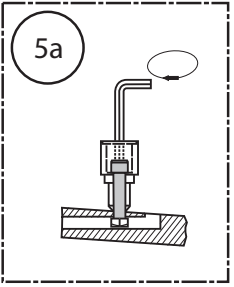
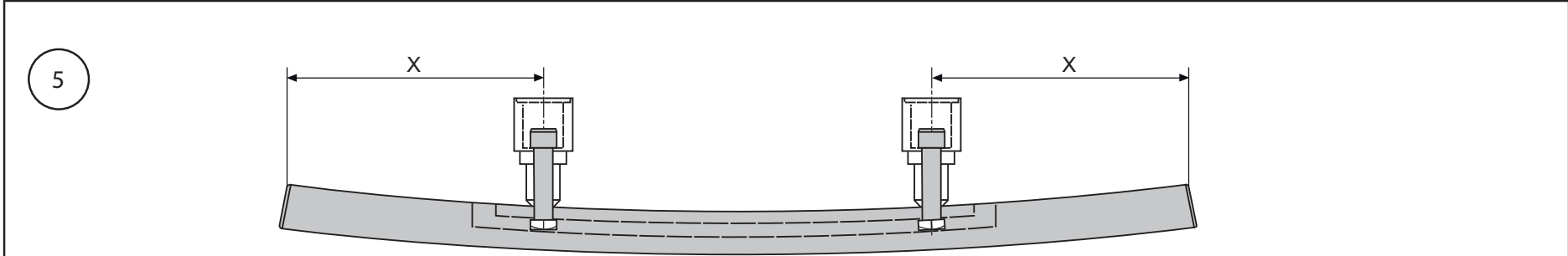
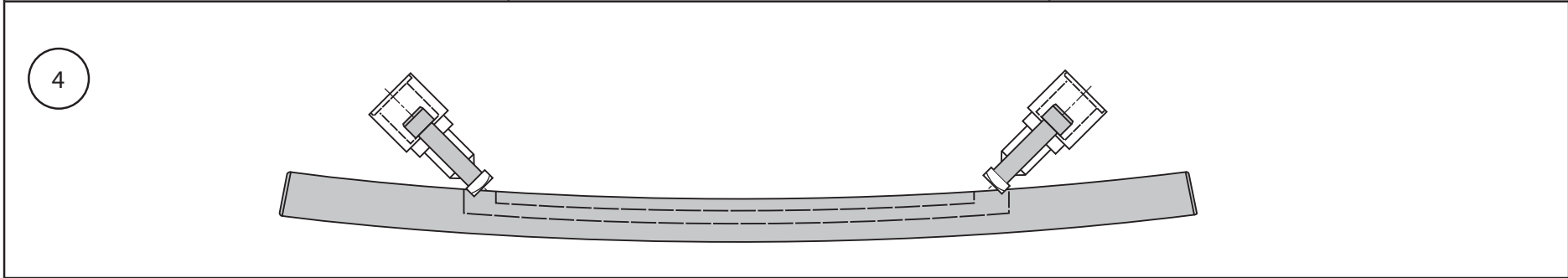
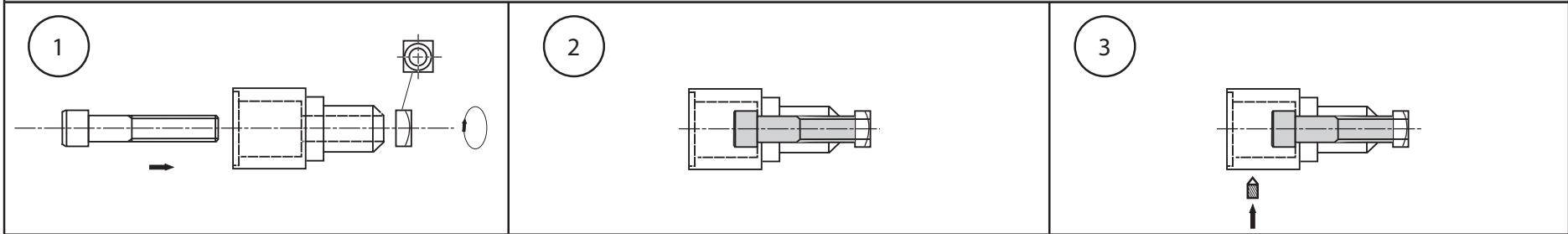
MONTAGEVOORSCHRIFT
MONTAGE-ANLEITUNG

MOUNTING INSTRUCTIONS
INSTRUCTIONS DE MONTAGE

HANDDOEKBEUGEL
VN/VPN/V/VP/H/HP



| MONTAGEVOORSCHRIFT MONTAGE-ANLEITUNG | MOUNTING INSTRUCTIONS INSTRUCTIONS DE MONTAGE | HANDDOEKBEUGEL VN/VPN/V/VP/H/HP |
|---|--|------------------------------------|
|---|--|------------------------------------|



- | | | |
|---|---|--|
| <p>X=Type V(P)N paar buizen (213mm) X=Typ V(P)N paarige Rohre (213mm) X=Type V(P)N des tubes pairs (213mm) X=Type V(P)N even tubes (213mm)</p> | <p>X=Type V(P)N onpaar buizen (184mm) X=Typ V(P)N nicht paarige Rohre (184mm) X=Type V(P)N des tubes impairs (184mm) X=Type V(P)N unpaired tubes (184mm)</p> | <p>X=Type V(P)NS (191mm) X=Typ V(P)NS (191mm) X=Type V(P)NS (191mm) X=Type V(P)NS (191mm)</p> |
| <p>X=Type V(P) paar buizen (188mm) X=Typ V(P) paarige Rohre (188mm) X=Type V(P) des tubes pairs (188mm) X=Type V(P) even tubes (188mm)</p> | <p>X=Type V(P) onpaar buizen (224mm) X=Typ V(P) nicht paarige Rohre (224mm) X=Type V(P) des tubes impairs (224mm) X=Type V(P) unpaired tubes (224mm)</p> | |