

# ONI-EL

## ELECTRIC HEATING, A SUSTAINABLE ALTERNATIVE



Electric heating is a hot topic. Year on year, the demand from installers and consumers for innovative electric heating solutions continues to rise. As insulating PV panels in our home continue to improve, electric heating provides an alternative cost-efficient and user-friendly solution. Electric heating works on the plug-and-play principle, i.e. without the invasive need for drilling, channeling or maintenance work. These solutions also respect Vasco's time-honoured tradition of paying the utmost attention to efficiency, design and ease of use.



### UNRIVALLED TOP DESIGN, NOW ALSO ELECTRIC

Oni, Vasco's thinnest bathroom radiator ever (8 mm) is now also available in an electric version: type O-NP-EL and type O-P-EL with practical cut-outs that make it easy to dry towels. The Oni-EL meets the strict European Ecodesign standards for electrical appliances. The back of this electric version is fitted with an entirely flat cover panel in exactly the same colour as the front, which houses the electrical resistance. So from the side all you can see is the wafer-thin radiator panel. The electric receiver module has a standby and a memo button and is integrated almost invisibly into the unit.



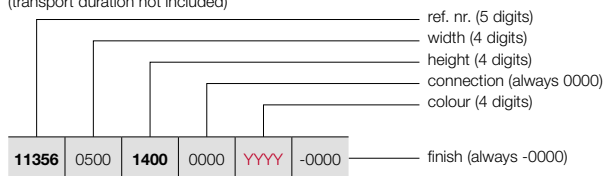
O-NP-EL



O-P-EL



HOW TO ORDER ONI O-NP-EL / O-P-EL  
 Delivery time 15 - 30 working days  
 Stock radiator: Delivery time 5 working days  
 (transport duration not included)



# ONI-EL



PRODUCT GROUP: ELECTRICAL

REFERENCE CODE CUSTOM MADE ONI O-NP-EL / ONI O-P-EL	TECHNICAL DATA				STANDARD COLOUR		OTHER COLOURS
	width (L mm)	height (H mm)	weight (kg)	electr. resistance (Watt)	price S600	short ref.nr. S600 stock	price colour
REF. NR. ONI O-NP-EL : 11356							
11356 0500 1400 0000 YYYY -0000	500	1400	17,8	750	1.021,00	-	1.174,00
11356 0500 1800 0000 YYYY -0000	500	1800	22,0	1000	1.121,00	-	1.289,00
REF. NR. ONI O-P-EL : 11348							
11348 0500 1400 0000 YYYY -0000	500	1400	17,8	750	1.061,00	11348-01	1.220,00
11348 0500 1800 0000 YYYY -0000	500	1800	22,0	1000	1.161,00	11348-02	1.335,00

In conformity with EN442-1: 2014: radiators and convectors

UK. Prices 09/2019 (excl. VAT)

## REGULATION (RF THERMOSTAT)

INCLUDED IN THE PRICE

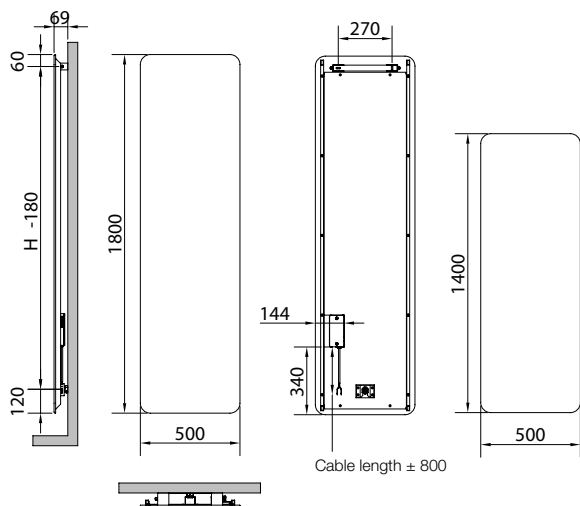
- Operating voltage of the RF receiver: 230V AC, 50 Hz
- RF thermostat: 2x Alkaline 1.5V
- Weekly and daily programming



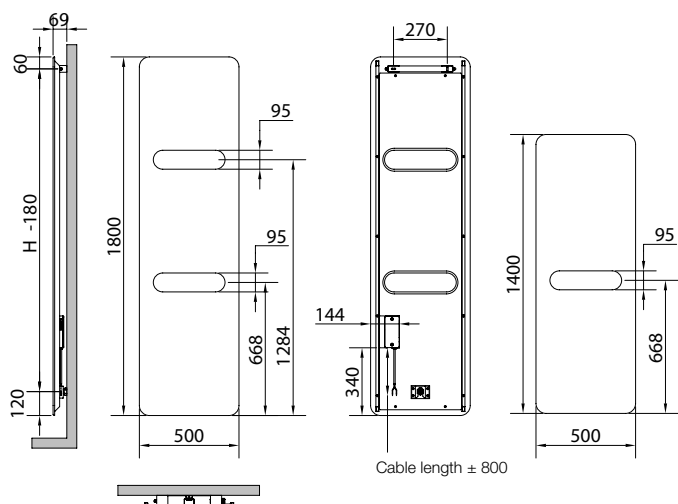
height: 95 mm, width: 120 mm, depth: 25 mm

- Control of room temperature from 7°C to 30°C
- Control of surface temperature from 20°C to 80°C
- Boost command: standard 60 minutes
- Auto, Comfort, Eco or frost protection mode
- Set programmes P1, P2 and P3 can be changed
- RF receiver: IPX4 Class II (invisible at the back of the radiator)
- Thermostat: IP30
- Cable length: 0.8 m (preferably use a direct fixed wall outlet)
- Energy-consumption indication
- Indicator of open window detection
- RF communication between the receiver and the thermostat (to be connected)

## ONI O-NP-EL



## ONI O-P-EL



## ONI O-NP-EL MULTI + ACCESSORY IN OPTION



To attach on the left or the right of the radiator (see technical price list)



Consult the Vasco colour range in the technical price list or via: [www.vasco.eu](http://www.vasco.eu).